

Aseptic flange connection



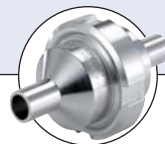
Hygienic Processing components...



Type BBS-3F
Flow indicator



Type BBS-04
Silicone hose



Type BBS-10
Check valve



Type BBS-03
Sterile threaded connection



Type BBS-05
Clamping connection



Type 2103
Diaphragm valve

The aseptic flange connection has been developed with aseptic applications firmly in the mind. It is available in virtually all sizes, standards and configurations.

The design incorporates use of a standard dimension O-Ring which gives flexibility of material choice.

For increase process security and improved cleaning capabilities we recommend BBS-06 sterile flanges.

Applications

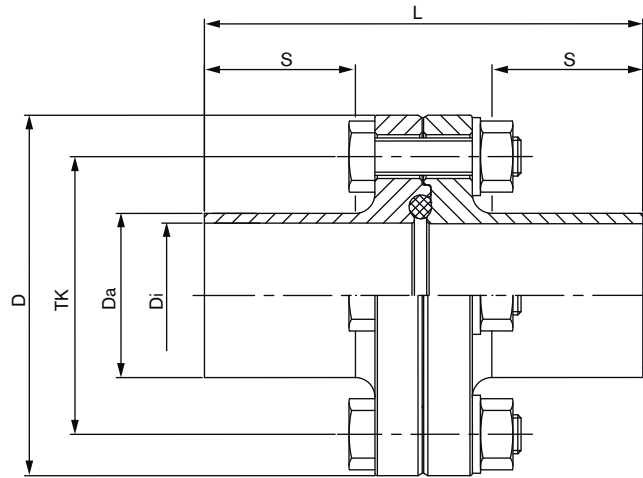
- Biotechnology
- Pharmaceutical
- Chemical industry
- Dairy
- Food
- Cosmetic

- Design acc. to DIN 11864-2
- All medium contact materials traceable
- Component of the BBS modular system

Technical data	
Available standard sizes	ISO DN08 to DN100 DIN DN10 to DN150 BS-OD DN1/2" to DN4"
Material medium contact	Stainless steel 1.4435 BN2 (316L) Special materials e.g. Hastelloy 2.4602, Titanium, 1.4539 etc. on request
Material medium separated	1.4305 or equivalent
Seals	O-ring, EPDM, FEP, special seal material e.g. FFKM, pure PTFE etc. on request
Surface quality	Medium contacted surface < Ra 0,8µm, electro polished, finer surface on request
Operating temperature	EPDM seal material: -40°C to 90°C, temporary to 140°C FEP seal material: -60°C to 160°C, temporary to 205°C
Ambient temperature	-20 to +80 °C
Media	Gases or liquids
Operating pressure	ISO DN08 to DN25 = 25 bar ISO DN32 to DN80 = 16 bar ISO DN100 = 10 bar DIN DN10 to DN40 = 25 bar DIN DN50 to DN100 = 16 bar DIN DN125 to DN150 = 10 bar BS-OD DN1/2" to DN1 1/2" = 25 bar BS-OD DN2" to DN4" = 16 bar
Applicable standards	Pipe connection acc. to DIN 11866 ISO dimensions series B (ISO 4200) DIN dimensions Series A (DIN 11850) BS-OD dimensions Series C (ASME BPE) Sealing acc. to DIN 11864-1, Form A
Certifications	Material 3.1, FDA, USP VI

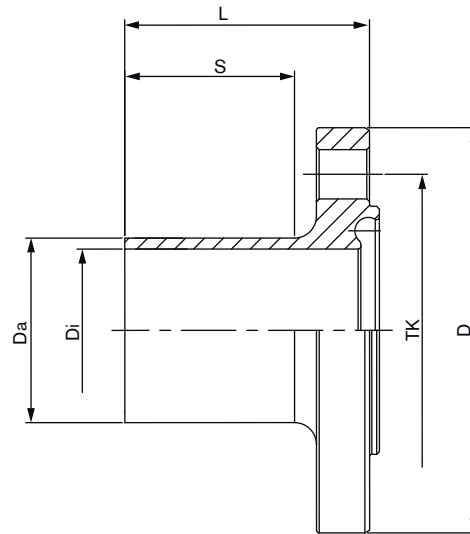


Dimensions [mm] Aseptic flange connection acc. to DIN 11864-2



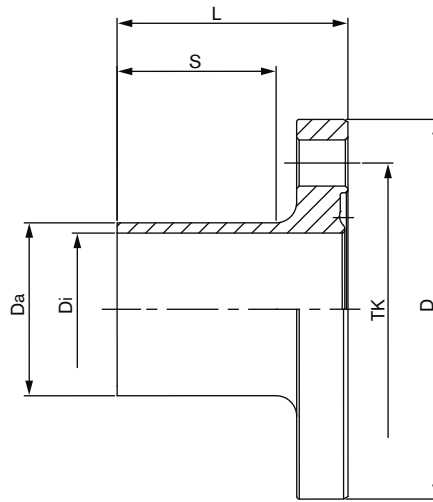
Orifice	D [mm]	TK [mm]	Da [mm]	Di [mm]	L [mm]	S [mm]	Item no. EPDM		Item no. FEP	
ISO Dimensions Aseptic flange connection										
DN08	54.00	37.00	13.50	10.30	80.00	26.00	BBS-06-AA.Z08.64A.35.0	(732 224)	BBS-06-AA.Z08.64A.35.3	(732 226)
DN10	59.00	42.00	17.20	14.00	80.00	26.00	BBS-06-AA.Z10.64A.35.0	(732 232)	BBS-06-AA.Z10.64A.35.3	(732 234)
DN15	62.00	45.00	21.30	18.10	80.00	26.00	BBS-06-AA.Z15.64A.35.0	(732 260)	BBS-06-AA.Z15.64A.35.3	(732 262)
DN20	69.00	52.00	26.90	23.70	80.00	26.00	BBS-06-AA.Z20.64A.35.0	(732 279)	BBS-06-AA.Z20.64A.35.3	(732 281)
DN25	74.00	57.00	33.70	29.70	90.00	31.00	BBS-06-AA.Z25.64A.35.0	(732 299)	BBS-06-AA.Z25.64A.35.3	(732 301)
DN32	82.00	65.00	42.40	38.40	90.00	31.00	BBS-06-AA.Z32.64A.35.0	(732 319)	BBS-06-AA.Z32.64A.35.3	(732 321)
DN40	88.00	71.00	48.30	44.30	90.00	31.00	BBS-06-AA.Z40.64A.35.0	(732 333)	BBS-06-AA.Z40.64A.35.3	(732 335)
DN50	103.00	85.00	60.30	56.30	108.00	42.00	BBS-06-AA.Z50.64A.35.0	(732 351)	BBS-06-AA.Z50.64A.35.3	(732 353)
DN65	125.00	104.00	76.10	72.10	112.00	42.00	BBS-06-AA.Z65.64A.35.0	(732 369)	BBS-06-AA.Z65.64A.35.3	(732 371)
DN80	137.00	116.00	88.90	84.30	120.00	42.00	BBS-06-AA.Z80.64A.35.0	(732 380)	BBS-06-AA.Z80.64A.35.3	(732 382)
DN100	168.00	145.00	114.30	109.70	120.00	42.00	BBS-06-AA.Z100.64A.35.0	(732 242)	BBS-06-AA.Z100.64A.35.3	(732 244)
DIN Dimensions Aseptic flange connection										
DN10	54.00	37.00	12.00	10.00	80.00	26.00	BBS-06-AA.F10.64A.35.0	(on request)	BBS-06-AA.F10.64A.35.3	(on request)
DN10	54.00	37.00	13.00	10.00	80.00	26.00	BBS-06-AA.F10.64A.35.0-1	(on request)	BBS-06-AA.F10.64A.35.3-1	(on request)
DN15	59.00	42.00	19.00	16.00	80.00	26.00	BBS-06-AA.F15.64A.35.0	(on request)	BBS-06-AA.F15.64A.35.3	(on request)
DN20	64.00	47.00	23.00	20.00	80.00	26.00	BBS-06-AA.F20.64A.35.0	(on request)	BBS-06-AA.F20.64A.35.3	(on request)
DN25	70.00	53.00	29.00	26.00	80.00	26.00	BBS-06-AA.F25.64A.35.0	(on request)	BBS-06-AA.F25.64A.35.3	(on request)
DN32	76.00	59.00	35.00	32.00	90.00	31.00	BBS-06-AA.F32.64A.35.0	(on request)	BBS-06-AA.F32.64A.35.3	(on request)
DN40	82.00	65.00	41.00	38.00	90.00	31.00	BBS-06-AA.F40.64A.35.0	(732 024)	BBS-06-AA.F40.64A.35.3	(on request)
DN50	94.00	77.00	53.00	50.00	90.00	31.00	BBS-06-AA.F50.64A.35.0	(732 030)	BBS-06-AA.F50.64A.35.3	(732 032)
DN65	113.00	95.00	70.00	66.00	108.00	42.00	BBS-06-AA.F65.64A.35.0	(732 038)	BBS-06-AA.F65.64A.35.3	(732 040)
DN80	133.00	112.00	85.00	81.00	116.00	42.00	BBS-06-AA.F80.64A.35.0	(on request)	BBS-06-AA.F80.64A.35.3	(on request)
DN100	159.00	137.00	104.00	100.00	116.00	42.00	BBS-06-AA.F100.64A.35.0	(on request)	BBS-06-AA.F100.64A.35.3	(on request)
DN125	183.00	161.00	129.00	125.00	120.00	42.00	BBS-06-AA.F125.64A.35.0	(on request)	BBS-06-AA.F125.64A.35.3	(on request)
DN150	213.00	188.00	154.00	150.00	120.00	40.00	BBS-06-AA.F150.64A.35.0	(731 997)	BBS-06-AA.F100.64A.35.3	(731 999)
BS-OD Dimensions Aseptic flange connection										
DN1/2"	54.00	37.00	12.70	9.40	80.00	26.00	BBS-06-AA.M05.64A.35.0	(on request)	BBS-06-AA.M05.64A.35.3	(on request)
DN3/4"	59.00	42.00	19.05	15.75	80.00	26.00	BBS-06-AA.M07.64A.35.0	(on request)	BBS-06-AA.M07.64A.35.3	(on request)
DN1"	66.00	49.00	25.40	22.10	80.00	26.00	BBS-06-AA.M10.64A.35.0	(732 065)	BBS-06-AA.M10.64A.35.3	(732 067)
DN1 1/2"	79.00	62.00	38.10	34.80	90.00	31.00	BBS-06-AA.M15.64A.35.0	(732 079)	BBS-06-AA.M15.64A.35.3	(732 081)
DN2"	92.00	75.00	50.80	47.50	90.00	31.00	BBS-06-AA.M20.64A.35.0	(732 088)	BBS-06-AA.M20.64A.35.3	(732 090)
DN2 1/2"	107.00	89.00	63.50	60.20	108.00	42.00	BBS-06-AA.M25.64A.35.0	(732 098)	BBS-06-AA.M25.64A.35.3	(732 100)
DN3"	125.00	104.00	76.20	72.90	112.00	42.00	BBS-06-AA.M30.64A.35.0	(732 108)	BBS-06-AA.M30.64A.35.3	(732 110)
DN4"	157.00	135.00	101.60	97.38	116.00	42.00	BBS-06-AA.M40.64A.35.0	(732 118)	BBS-06-AA.M40.64A.35.3	(732 120)

Dimensions [mm] Aseptic female flange



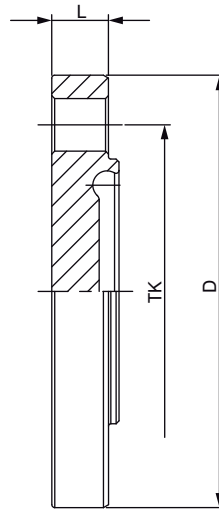
Orifice	D [mm]	TK [mm]	Da [mm]	Di [mm]	L [mm]	S [mm]	Item no.
ISO Dimensions Aseptic female flange							
DN08	54.00	37.00	13.50	10.30	39.70	26.00	BBS-06-A0.Z08.64A.35.0 (731 804)
DN10	59.00	42.00	17.20	14.00	39.70	26.00	BBS-06-A0.Z10.64A.35.0 (731 809)
DN15	62.00	45.00	21.30	18.10	39.70	26.00	BBS-06-A0.Z15.64A.35.0 (731 822)
DN20	69.00	52.00	26.90	23.70	39.70	26.00	BBS-06-A0.Z20.64A.35.0 (731 828)
DN25	74.00	57.00	33.70	29.70	44.70	31.00	BBS-06-A0.Z25.64A.35.0 (731 838)
DN32	82.00	65.00	42.40	38.40	44.70	31.00	BBS-06-A0.Z32.64A.35.0 (731 853)
DN40	88.00	71.00	48.30	44.30	44.70	31.00	BBS-06-A0.Z40.64A.35.0 (731 860)
DN50	103.00	85.00	60.30	56.30	53.70	42.00	BBS-06-A0.Z50.64A.35.0 (731 872)
DN65	125.00	104.00	76.10	72.10	55.70	42.00	BBS-06-A0.Z65.64A.35.0 (731 888)
DN80	137.00	116.00	88.90	84.30	57.70	42.00	BBS-06-A0.Z80.64A.35.0 (731 896)
DN100	168.00	145.00	114.30	109.70	57.70	42.00	BBS-06-A0.Z100.64A.35.0 (731 812)
DIN Dimensions Aseptic female flange							
DN10	54.00	37.00	12.00	10.00	39.70	26.00	BBS-06-A0.F10.64A.35.0 (731 686)
DN10	54.00	37.00	13.00	10.00	39.70	26.00	BBS-06-A0.F10.64A.35.0-1 (on request)
DN15	59.00	42.00	19.00	16.00	39.70	26.00	BBS-06-A0.F15.64A.35.0 (730 370)
DN20	64.00	47.00	23.00	20.00	39.70	26.00	BBS-06-A0.F20.64A.35.0 (on request)
DN25	70.00	53.00	29.00	26.00	39.70	26.00	BBS-06-A0.F25.64A.35.0 (on request)
DN32	76.00	59.00	35.00	32.00	44.70	31.00	BBS-06-A0.F32.64A.35.0 (on request)
DN40	82.00	65.00	41.00	38.00	44.70	31.00	BBS-06-A0.F40.64A.35.0 (731 715)
DN50	94.00	77.00	53.00	50.00	44.70	31.00	BBS-06-A0.F50.64A.35.0 (731 718)
DN65	113.00	95.00	70.00	66.00	53.70	42.00	BBS-06-A0.F65.64A.35.0 (731 724)
DN80	133.00	112.00	85.00	81.00	57.70	42.00	BBS-06-A0.F80.64A.35.0 (731 730)
DN100	159.00	137.00	104.00	100.00	57.70	42.00	BBS-06-A0.F100.64A.35.0 (731 691)
DN125	183.00	161.00	129.00	125.00	59.70	42.00	BBS-06-A0.F125.64A.35.0 (on request)
DN150	213.00	188.00	154.00	150.00	59.70	40.00	BBS-06-A0.F150.64A.35.0 (731 701)
BS-OD Dimensions Aseptic female flange							
DN1/2"	54.00	37.00	12.70	9.40	39.70	26.00	BBS-06-A0.M05.64A.35.0 (on request)
DN3/4"	59.00	42.00	19.05	15.75	39.70	26.00	BBS-06-A0.M07.64A.35.0 (on request)
DN1"	66.00	49.00	25.40	22.10	39.70	26.00	BBS-06-A0.M10.64A.35.0 (731 744)
DN1 1/2"	79.00	62.00	38.10	34.80	44.70	31.00	BBS-06-A0.M15.64A.35.0 (731 753)
DN2"	92.00	75.00	50.80	47.50	44.70	31.00	BBS-06-A0.M20.64A.35.0 (731 759)
DN2 1/2"	107.00	89.00	63.50	60.20	53.70	42.00	BBS-06-A0.M25.64A.35.0 (731 765)
DN3"	125.00	104.00	76.20	72.90	55.70	42.00	BBS-06-A0.M30.64A.35.0 (731 771)
DN4"	157.00	135.00	101.60	97.38	57.70	42.00	BBS-06-A0.M40.64A.35.0 (731 777)

Abmessung [mm] Aseptic male flange



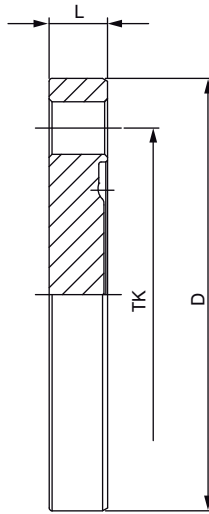
Orifice	D [mm]	TK [mm]	Da [mm]	Di [mm]	L [mm]	S [mm]	Item no.	
ISO Dimensions Aseptic male flange								
DN08	54.00	37.00	13.50	10.30	40.00	26.00	BBS-06-B0.Z08.64A.35.0	(732 632)
DN10	59.00	42.00	17.20	14.00	40.00	26.00	BBS-06-B0.Z10.64A.35.0	(732 636)
DN15	62.00	45.00	21.30	18.10	40.00	26.00	BBS-06-B0.Z15.64A.35.0	(732 647)
DN20	69.00	52.00	26.90	23.70	40.00	26.00	BBS-06-B0.Z20.64A.35.0	(732 653)
DN25	74.00	57.00	33.70	29.70	45.00	31.00	BBS-06-B0.Z25.64A.35.0	(732 665)
DN32	82.00	65.00	42.40	38.40	45.00	31.00	BBS-06-B0.Z32.64A.35.0	(732 675)
DN40	88.00	71.00	48.30	44.30	45.00	31.00	BBS-06-B0.Z40.64A.35.0	(732 683)
DN50	103.00	85.00	60.30	56.30	54.00	42.00	BBS-06-B0.Z50.64A.35.0	(732 697)
DN65	125.00	104.00	76.10	72.10	56.00	42.00	BBS-06-B0.Z65.64A.35.0	(732 711)
DN80	137.00	116.00	88.90	84.30	58.00	42.00	BBS-06-B0.Z80.64A.35.0	(732 717)
DN80	168.00	145.00	114.30	109.70	58.00	42.00	BBS-06-B0.Z100.64A.35.0	(732 640)
DIN Dimensions Aseptic male flange								
DN10	54.00	37.00	12.00	10.00	40.00	26.00	BBS-06-B0.F10.64A.35.0	(on request)
DN10	54.00	37.00	13.00	10.00	40.00	26.00	BBS-06-B0.F10.64A.35.0-1	(743 661)
DN15	59.00	42.00	19.00	16.00	40.00	26.00	BBS-06-B0.F15.64A.35.0	(743 662)
DN20	64.00	47.00	23.00	20.00	40.00	26.00	BBS-06-B0.F20.64A.35.0	(743 663)
DN25	70.00	53.00	29.00	26.00	40.00	26.00	BBS-06-B0.F25.64A.35.0	(743 664)
DN32	76.00	59.00	35.00	32.00	45.00	31.00	BBS-06-B0.F32.64A.35.0	(743 665)
DN40	82.00	65.00	41.00	38.00	45.00	31.00	BBS-06-B0.F40.64A.35.0	(732 543)
DN50	94.00	77.00	53.00	50.00	45.00	31.00	BBS-06-B0.F50.64A.35.0	(732 547)
DN65	113.00	95.00	70.00	66.00	54.00	42.00	BBS-06-B0.F65.64A.35.0	(743 666)
DN80	133.00	112.00	85.00	81.00	58.00	42.00	BBS-06-B0.F80.64A.35.0	(743 667)
DN100	159.00	137.00	104.00	100.00	58.00	42.00	BBS-06-B0.F100.64A.35.0	(732 519)
DN125	183.00	161.00	129.00	125.00	60.00	42.00	BBS-06-B0.F125.64A.35.0	(743 668)
DN150	213.00	188.00	154.00	150.00	60.00	40.00	BBS-06-B0.F150.64A.35.0	(743 669)
BS OD Dimensions Aseptic male flange								
DN1/2"	54.00	37.00	12.70	9.40	40.00	26.00	BBS-06-B0.M05.64A.35.0	(on request)
DN3/4"	59.00	42.00	19.05	15.75	40.00	26.00	BBS-06-B0.M07.64A.35.0	(on request)
DN1"	66.00	49.00	25.40	22.10	44.00	25.00	BBS-06-B0.M10.64A.35.0	(732 566)
DN1 1/2"	79.00	62.00	38.10	34.80	45.00	30.00	BBS-06-B0.M15.64A.35.0	(732 576)
DN2"	92.00	75.00	50.80	47.50	45.00	31.00	BBS-06-B0.M20.64A.35.0	(732 582)
DN2 1/2"	107.00	89.00	63.50	60.20	54.00	42.00	BBS-06-B0.M25.64A.35.0	(732 588)
DN3"	125.00	104.00	76.20	72.90	56.00	42.00	BBS-06-B0.M30.64A.35.0	(732 594)
DN4"	157.00	135.00	101.60	97.38	58.00	42.00	BBS-06-B0.M40.64A.35.0	(732 600)

Dimensions [mm] Aseptic female flange blind cover



Orifice	D [mm]	Da [mm]	L [mm]	Item no.	
ISO Dimensions Aseptic female flange blind cover					
DN08	54.00	37.00	9.70	BBS-06-L0.Z08.64A.35.0	(on request)
DN10	59.00	42.00	9.70	BBS-06-L0.Z10.64A.35.0	(on request)
DN15	62.00	45.00	9.70	BBS-06-L0.Z15.64A.35.0	(on request)
DN20	69.00	52.00	9.70	BBS-06-L0.Z20.64A.35.0	(on request)
DN25	74.00	57.00	9.70	BBS-06-L0.Z25.64A.35.0	(733 539)
DN32	82.00	65.00	9.70	BBS-06-L0.Z32.64A.35.0	(733 547)
DN40	88.00	71.00	9.70	BBS-06-L0.Z40.64A.35.0	(733 553)
DN50	103.00	85.00	9.70	BBS-06-L0.Z50.64A.35.0	(733 559)
DN65	125.00	104.00	11.70	BBS-06-L0.Z65.64A.35.0	(733 574)
DN80	137.00	116.00	13.70	BBS-06-L0.Z80.64A.35.0	(733 580)
DN100	168.00	145.00	13.70	BBS-06-L0.Z100.64A.35.0	(733 521)
DIN Dimensions Aseptic female flange blind cover					
DN10	54.00	37.00	9.70	BBS-06-L0.F10.64A.35.0	(on request)
DN15	59.00	42.00	9.70	BBS-06-L0.F15.64A.35.0	(on request)
DN20	64.00	47.00	9.70	BBS-06-L0.F20.64A.35.0	(on request)
DN25	70.00	53.00	9.70	BBS-06-L0.F25.64A.35.0	(on request)
DN32	76.00	59.00	9.70	BBS-06-L0.F32.64A.35.0	(on request)
DN40	82.00	65.00	9.70	BBS-06-L0.F40.64A.35.0	(743 498)
DN50	94.00	77.00	9.70	BBS-06-L0.F50.64A.35.0	(733 481)
DN65	113.00	95.00	9.70	BBS-06-L0.F65.64A.35.0	(on request)
DN80	133.00	112.00	11.70	BBS-06-L0.F80.64A.35.0	(on request)
DN100	159.00	137.00	11.70	BBS-06-L0.F100.64A.35.0	(on request)
DN125	183.00	161.00	13.70	BBS-06-L0.F125.64A.35.0	(on request)
DN150	213.00	188.00	13.70	BBS-06-F0.F150.64A.35.0	(on request)
BS-OD Dimensions Aseptic female flange blind cover					
DN1/2"	54.00	37.00	9.70	BBS-06-L0.M05.64A.35.0	(on request)
DN3/4"	59.00	42.00	9.70	BBS-06-L0.M07.64A.35.0	(on request)
DN1"	66.00	49.00	9.70	BBS-06-L0.M10.64A.35.0	(on request)
DN1 1/2"	79.00	62.00	9.70	BBS-06-L0.M15.64A.35.0	(on request)
DN2"	92.00	75.00	9.70	BBS-06-L0.M20.64A.35.0	(on request)
DN2 1/2"	107.00	89.00	9.70	BBS-06-L0.M25.64A.35.0	(on request)
DN3"	125.00	104.00	11.70	BBS-06-L0.M30.64A.35.0	(on request)
DN4"	157.00	135.00	13.70	BBS-06-L0.M40.64A.35.0	(on request)

Dimensions [mm] Aseptic male flange blind cover



Orifice	D [mm]	TK [mm]	L [mm]	Item no.	
ISO Dimensions Aseptic male flange blind cover					
DN08	37.00	37.00	10.00	BBS-06-D0.Z08.64A.35.0	(733 014)
DN10	42.00	42.00	10.00	BBS-06-D0.Z10.64A.35.0	(733 018)
DN15	45.00	45.00	10.00	BBS-06-D0.Z15.64A.35.0	(733 032)
DN20	52.00	52.00	10.00	BBS-06-D0.Z20.64A.35.0	(733 040)
DN25	57.00	57.00	10.00	BBS-06-D0.Z25.64A.35.0	(733 048)
DN32	65.00	65.00	10.00	BBS-06-D0.Z32.64A.35.0	(733 060)
DN40	71.00	71.00	10.00	BBS-06-D0.Z40.64A.35.0	(733 067)
DN50	85.00	85.00	10.00	BBS-06-D0.Z50.64A.35.0	(733 075)
DN65	104.00	104.00	10.00	BBS-06-D0.Z65.64A.35.0	(733 083)
DN80	116.00	116.00	12.00	BBS-06-D0.Z80.64A.35.0	(733 089)
DN80	145.00	145.00	12.00	BBS-06-D0.Z100.64A.35.0	(733 022)
DIN Dimensions Aseptic male flange blind cover					
DN10	54.00	37.00	10.00	BBS-06-D0.F10.64A.35.0	(on request)
DN15	59.00	42.00	10.00	BBS-06-D0.F15.64A.35.0	(on request)
DN20	64.00	47.00	10.00	BBS-06-D0.F20.64A.35.0	(on request)
DN25	70.00	53.00	10.00	BBS-06-D0.F25.64A.35.0	(732 954)
DN32	76.00	59.00	10.00	BBS-06-D0.F32.64A.35.0	(on request)
DN40	82.00	65.00	10.00	BBS-06-D0.F40.64A.35.0	(732 962)
DN50	94.00	77.00	10.00	BBS-06-D0.F50.64A.35.0	(732 968)
DN65	113.00	95.00	10.00	BBS-06-D0.F65.64A.35.0	(on request)
DN80	133.00	112.00	10.00	BBS-06-D0.F80.64A.35.0	(on request)
DN100	159.00	137.00	12.00	BBS-06-D0.F100.64A.35.0	(on request)
DN125	183.00	161.00	14.00	BBS-06-D0.F125.64A.35.0	(on request)
DN150	213.00	188.00	16.00	BBS-06-D0.F150.64A.35.0	(732 946)
BS-OD Dimensions Aseptic male flange blind cover					
DN1/2"	54.00	37.00	10.00	BBS-06-D0.M05.64A.35.0	(on request)
DN3/4"	59.00	42.00	10.00	BBS-06-D0.M07.64A.35.0	(on request)
DN1"	66.00	49.00	10.00	BBS-06-D0.M10.64A.35.0	(on request)
DN1 1/2"	79.00	62.00	10.00	BBS-06-D0.M15.64A.35.0	(on request)
DN2"	92.00	75.00	10.00	BBS-06-D0.M20.64A.35.0	(on request)
DN2 1/2"	107.00	89.00	10.00	BBS-06-D0.M25.64A.35.0	(on request)
DN3"	125.00	104.00	12.00	BBS-06-D0.M30.64A.35.0	(on request)
DN4"	157.00	135.00	14.00	BBS-06-D0.M40.64A.35.0	(on request)

Dimensions [mm] ISO O-Rings for aseptic flange connection



Orifice	Item no. EPDM		Item no. FEP	
ISO O-Rings for aseptic flange connection				
DN08	BBS-02-01.N08.64.EP.0	(730 993)	BBS-02-01.N08.64.FE.3	(730 995)
DN10	BBS-02-01.N10.64.EP.0	(731 021)	BBS-02-01.N10.64.FE.3	(731 023)
DN15	BBS-02-01.N15.64.EP.0	(731 077)	BBS-02-01.N15.64.FE.3	(731 079)
DN20	BBS-02-01.N20.64.EP.0	(731 118)	BBS-02-01.N20.64.FE.3	(731 120)
DN25	BBS-02-01.N25.64.EP.0	(731 157)	BBS-02-01.N25.64.FE.3	(731 159)
DN32	BBS-02-01.N32.64.EP.0	(731 202)	BBS-02-01.N32.64.FE.3	(731 204)
DN40	BBS-02-01.N40.64.EP.0	(731 232)	BBS-02-01.N40.64.FE.3	(731 234)
DN50	BBS-02-01.N50.64.EP.0	(731 271)	BBS-02-01.N50.64.FE.3	(731 273)
DN65	BBS-02-01.N65.64.EP.0	(731 299)	BBS-02-01.N65.64.FE.3	(731 302)
DN80	BBS-02-01.N80.64.EP.0	(731 324)	BBS-02-01.N80.64.FE.3	(731 326)
DN100	BBS-02-01.N100.64.EP.0	(731 041)	BBS-02-01.N100.64.FE.3	(731 043)

Orifice	Item no. Silicone		Item no. FKM	
ISO O-Rings for aseptic flange connection				
DN08	BBS-02-01.N08.64.SI.1	(730 997)	BBS-02-01.N08.64.VI.2	(on request)
DN10	BBS-02-01.N10.64.SI.1	(731 025)	BBS-02-01.N10.64.VI.2	(on request)
DN15	BBS-02-01.N15.64.SI.1	(731 081)	BBS-02-01.N15.64.VI.2	(on request)
DN20	BBS-02-01.N20.64.SI.1	(731 122)	BBS-02-01.N20.64.VI.2	(on request)
DN25	BBS-02-01.N25.64.SI.1	(731 161)	BBS-02-01.N25.64.VI.2	(on request)
DN32	BBS-02-01.N32.64.SI.1	(731 206)	BBS-02-01.N32.64.VI.2	(on request)
DN40	BBS-02-01.N40.64.SI.1	(731 236)	BBS-02-01.N40.64.VI.2	(on request)
DN50	BBS-02-01.N50.64.SI.1	(731 275)	BBS-02-01.N50.64.VI.2	(on request)
DN65	BBS-02-01.N65.64.SI.1	(731 304)	BBS-02-01.N65.64.VI.2	(on request)
DN80	BBS-02-01.N80.64.SI.1	(731 328)	BBS-02-01.N80.64.VI.2	(on request)
DN100	BBS-02-01.N100.64.SI.1	(on request)	BBS-02-01.N100.64.VI.2	(on request)

Dimensions [mm] DIN O-Rings for aseptic flange connection



Orifice	Item no. EPDM		Item no. FEP	
DIN O-Rings for aseptic flange connection				
DN10	BBS-02-01.D10.64.EP.0	(730 383)	BBS-02-01.D10.64.FE.3	(730 385)
DN15	BBS-02-01.D15.64.EP.0	(730 435)	BBS-02-01.D15.64.FE.3	(730 437)
DN20	BBS-02-01.D20.64.EP.0	(730 480)	BBS-02-01.D20.64.FE.3	(730 483)
DN25	BBS-02-01.D25.64.EP.0	(730 515)	BBS-02-01.D25.64.FE.3	(730 517)
DN32	BBS-02-01.D32.64A.EP.0	(730 569)	BBS-02-01.D32.64.FE.3	(730 566)
DN40	BBS-02-01.D40.64A.EP.0	(730 593)	BBS-02-01.D40.64.FE.3	(730 591)
DN50	BBS-02-01.N50.64A.EP.0	(730 624)	BBS-02-01.D50.64A.FE.3	(730 626)
DN65	BBS-02-01.D65.64A.EP.0	(730 655)	BBS-02-01.D65.64A.FE.3	(730 657)
DN80	BBS-02-01.D80.64A.EP.0	(730 692)	BBS-02-01.D80.64A.FE.3	(730 694)
DN100	BBS-02-01.D100.64.EP.0	(730 406)	BBS-02-01.D100.64.FE.3	(730 408)
DN125	BBS-02-01.D125.64.EP.0	(on request)	BBS-02-01.D125.64.FE.3	(on request)
DN150	BBS-02-01.D150.64.EP.0	(730 455)	BBS-02-01.D150.64.FE.3	(730 458)

Orifice	Item no. Silicone		Item no. FKM	
DIN O-Rings for aseptic flange connection				
DN10	BBS-02-01.D10.64.SI.1	(on request)	BBS-02-01.D10.64.VI.2	(on request)
DN15	BBS-02-01.D15.64.SI.1	(on request)	BBS-02-01.D15.64.VI.2	(on request)
DN20	BBS-02-01.D20.64.SI.1	(on request)	BBS-02-01.D20.64.VI.2	(on request)
DN25	BBS-02-01.D25.64.SI.1	(on request)	BBS-02-01.D25.64.VI.2	(730 519)
DN32	BBS-02-01.D32.64.SI.1	(on request)	BBS-02-01.D32.64.VI.2	(on request)
DN40	BBS-02-01.D40.64.SI.1	(on request)	BBS-02-01.D40.64.VI.2	(on request)
DN50	BBS-02-01.D50.64.SI.1	(on request)	BBS-02-01.D50.64A.VI.2	(730 628)
DN65	BBS-02-01.D65.64.SI.1	(on request)	BBS-02-01.D65.64A.VI.2	(730 659)
DN80	BBS-02-01.D80.64.SI.1	(on request)	BBS-02-01.D80.64.VI.2	(on request)
DN100	BBS-02-01.D100.64.SI.1	(on request)	BBS-02-01.D100.64.VI.2	(on request)
DN125	BBS-02-01.D125.64.SI.1	(on request)	BBS-02-01.D125.64.VI.2	(on request)
DN150	BBS-02-01.D150.64.SI.1	(on request)	BBS-02-01.D150.64.VI.2	(on request)

Dimensions [mm] BS-OD O-Rings for aseptic flange connection



Orifice	Item no. EPDM		Item no. FEP	
BS-OD O-Rings for aseptic flange connection				
DN1/2"	BBS-02-01.K05.64.EP.0	(730 788)	BBS-02-01.K05.64.FE.3	(730 790)
DN3/4"	BBS-02-01.K07.64.EP.0	(730 803)	BBS-02-01.K07.64.FE.3	(730 805)
DN1"	BBS-02-01.K10.64.EP.0	(730 825)	BBS-02-01.K10.64.FE.3	(730 827)
DN1 1/2"	BBS-02-01.K15.64.EP.0	(730 855)	BBS-02-01.K15.64.FE.3	(730 857)
DN2"	BBS-02-01.K20.64.EP.0	(730 878)	BBS-02-01.K20.64.FE.3	(730 880)
DN2 1/2"	BBS-02-01.K25.64.EP.0	(730 903)	BBS-02-01.K25.64.FE.3	(730 905)
DN3"	BBS-02-01.K30.64.EP.0	(730 924)	BBS-02-01.K30.64.FE.3	(730 926)
DN4"	BBS-02-01.K40.64.EP.0	(730 946)	BBS-02-01.K40.64.FE.3	(730 948)

Orifice	Item no. Silicone		Item no. FKM	
BS-OD O-Rings for aseptic flange connection				
DN1/2"	BBS-02-01.K05.64.SI.1	(on request)	BBS-02-01.K05.64.VI.2	(on request)
DN3/4"	BBS-02-01.K07.64.SI.1	(on request)	BBS-02-01.K07.64.VI.2	(on request)
DN1"	BBS-02-01.K10.64.SI.1	(on request)	BBS-02-01.K10.64.VI.2	(743 876)
DN1 1/2"	BBS-02-01.K15.64.SI.1	(on request)	BBS-02-01.K15.64.VI.2	(on request)
DN2"	BBS-02-01.K20.64.SI.1	(on request)	BBS-02-01.K20.64.VI.2	(730 882)
DN2 1/2"	BBS-02-01.K25.64.SI.1	(on request)	BBS-02-01.K25.64.VI.2	(on request)
DN3"	BBS-02-01.K30.64.SI.1	(on request)	BBS-02-01.K30.64.VI.2	(730 928)
DN4"	BBS-02-01.K40.64.SI.1	(on request)	BBS-02-01.K40.64.VI.2	(on request)

Представительство «Burkert» – ООО «ЭФ-СИ-ЭС Урал» г. Челябинск
 Адрес: ул. Неглинная д. 43, офис 13
 Телефон: 8 (351) 22-354-11, 8 (351) 725-92-07
 Факс: 8 (351) 22-529-13
 E-mail: info@fcs-ural.ru

